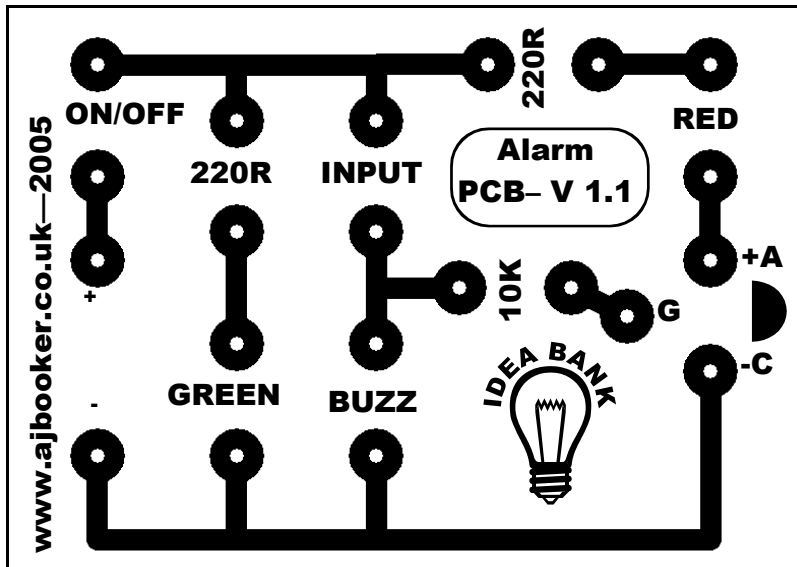
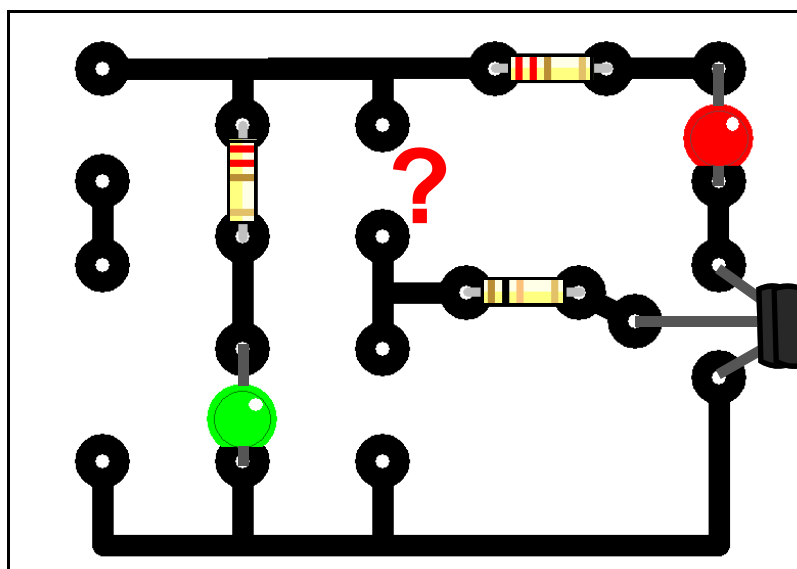


# Yr.8 Alarm Warning PCB Mask

[www.ajbooker.co.uk](http://www.ajbooker.co.uk)



TRACK SIDE OF YOUR PCB



DON'T FORGET, PLACE THESE COMPONENTS ON THE BLANK (COMPONENT) SIDE!

